

(19)  **Europäisches Patentamt**  
**European Patent Office**  
**Office européen des brevets**



(11) **EP 0 793 743 B1**

(12) **EUROPEAN PATENT SPECIFICATION**

(45) Date of publication and mention of the grant of the patent: **08.03.2000 Bulletin 2000/10**  
 (21) Application number: **95939607.8**  
 (22) Date of filing: **27.10.1995**  
 (51) Int Cl.7: **D04H 13/00, A47K 7/03**  
 (86) International application number: **PCT/US95/13849**  
 (87) International publication number: **WO 96/16217 (30.05.1996 Gazette 1996/25)**

(54) **CHILD'S MITT WIPE AND PROCESS FOR MAKING THE SAME**  
**KINDER WISCHTUCH-HANDSCHUH UND VERFAHREN ZUR HERSTELLUNG**  
**GANT DE TOILETTE POUR ENFANT ET SON PROCEDE DE FABRICATION**

(84) Designated Contracting States:  
**BE DE ES FR GB IT NL SE**

(30) Priority: **23.11.1994 US 344263**

(43) Date of publication of application:  
**10.09.1997 Bulletin 1997/37**

(73) Proprietor: **Kimberly-Clark Worldwide, Inc.**  
**Neenah, WI 54957-0349 (US)**

(72) Inventors:  
 • **FINCH, Valerie, Victoria**  
**Neenah, WI 54956 (US)**  
 • **GLAUG, Frank, Steven**  
**Appleton, WI 54915 (US)**  
 • **OLSON, Christopher, Peter**  
**Neenah, WI 54956 (US)**

• **RATLIFF, Kathleen, Irene**  
**Neenah, WI 54956 (US)**  
 • **SHELDON, Donald, Albert**  
**Downington, PA 19335 (US)**

(74) Representative:  
**Diehl, Hermann, Dr. Dipl.-Phys. et al**  
**DIEHL, GLÄSER, HILTL & PARTNER**  
**Patentanwälte**  
**Augustenstrasse 46**  
**80333 München (DE)**

(56) References cited:  
**EP-A- 0 181 300**                      **EP-A- 0 262 817**  
**WO-A-90/07297**                    **WO-A-92/21401**  
**US-A- 4 953 250**

**EP 0 793 743 B1**

Note: Within nine months from the publication of the mention of the grant of the European patent, any person may give notice to the European Patent Office of opposition to the European patent granted. Notice of opposition shall be filed in a written reasoned statement. It shall not be deemed to have been filed until the opposition fee has been paid. (Art. 99(1) European Patent Convention).

## Description

[0001] The present invention relates to wipes and processes for making wipes, and more particularly to a disposable child mitt wipe for wiping and cleaning waste from the body, and a process for making the same.

[0002] From birth to an age of about two years old, a little boy or girl will wear diapers until he or she is ready for the toilet training process. Some children may start the toilet training process as early as the age of fifteen months, while others may not be ready until after the age of two. The age at which a child will begin this training process is dependent upon many factors, some of which are psychological, some physiological, and some unique to each individual child.

[0003] The total toilet training process embraces a number of aspects, some of which may or may not apply to each child. One aspect of the total toilet training process is the change from diapers to training pants to help the child understand that he or she may now more easily use the toilet, just like grownups.

[0004] Another aspect of the total toilet training process includes parental or caregiver instruction as a positive encouragement and reinforcement to the child that he or she should now be using the toilet, instead of using diapers or the like. Related to parental or caregiver instruction can be the use of written materials oriented to children at this particular age.

[0005] Still another aspect of the total toilet training process includes the examples of older brothers or sisters that have already proceeded successfully through this process. Generally, the younger untrained brother or sister will want to imitate the older trained brother or sister.

[0006] Yet another aspect of the total toilet training process includes cleanup after going to the toilet, especially after a bowel movement. In this case, parents or caregivers will desire that their children eventually become independent in cleaning themselves after going to the toilet. This means that two areas must be addressed by both the parents, or caregivers, and the child; one is how the child cleans up, and the other is how well the child cleans up.

[0007] In addressing the cleanup aspect of toilet training, parents or caregivers will usually first introduce their child to conventional bathroom tissue, i.e., toilet paper. Although it is understandable that the use of toilet paper may be the first method attempted by parents or caregivers to assist their child in cleaning up, it poses numerous problems for the child. One problem is that the tissue, of which the toilet paper is made, may not be strong enough to withstand the use by a child. If the child uses too little toilet paper, the toilet paper can tear or puncture during use, resulting in a mess on the child and anything within reach of the child. This presents sanitary problems, and can be a discouragement and frustration to the child by not being able to independently clean himself or herself after going to the toilet.

[0008] Another problem associated with conventional toilet paper is that children tend to pull too much toilet paper off of the roll. A bathroom that has its floor cluttered with excessive unrolled toilet paper can evoke less than encouraging or reinforcing words from the parent or caregiver.

[0009] Furthermore, if the child pulls too much toilet paper off of the roll, it is likely that the child will make a large ball of toilet paper, and attempt to clean himself or herself with it. This can result in less than efficient use of toilet paper, less than efficient cleanup, and quite possibly plugging of the toilet.

[0010] Another problem with conventional toilet paper is that it is more difficult for a child to manipulate the tissue to his or her bottom in order to clean. This is due to children's bodies being differently proportioned compared to adult bodies. More specifically, the child's arms may not be long enough to easily reach the cleanup area. Most children also do not have the necessary manual dexterity to overcome this particular problem. This problem is further magnified since the child cannot visually see the area he or she needs to cleanup.

[0011] With all of these problems associated with a child using toilet paper, it does not come as a surprise that assistance is required. For the child, this can be an embarrassment and humiliation in not being capable of adequately taking care of himself or herself. Furthermore, a child may, at this age, desire privacy and independence. This can be indicated when the child closes a bathroom door, when in the past an open door was never a concern. If the parent, or caretaker, needs to assist the child, there can be a conflict of emotion for the child that may be obstructive to the cleanup aspect of the toilet training process.

[0012] One attempt to address some of the above problems is to provide wipes specifically designed for use by children. These wipes are generally thicker than regular toilet paper, and usually only one wipe is supposed to be used. Although these wipes may be thicker and therefore not as prone to tear or puncture during use, they still present the problem associated with a flat, small wipe that is difficult for the child to manipulate or use in a correct manner. As with any unsuccessful attempt in cleanup, the child can become discouraged and the toilet training process may be delayed.

[0013] Another problem associated with children's wipes is that they can be perceived by the child as a "baby" wipe, as opposed to a grownup's bathroom tissue. Since the child wants to feel like a grownup who can independently cleanup, the use of a product perceived to be intended for babies can cause a child to refuse to use the wipe.

[0014] It now can be appreciated that the total toilet training process involves many aspects for both the child and the parent or caregiver. Some of these aspects affect children differently, or may not even be a factor for a particular child. It is this uniqueness of each individual child that presents a major challenge for both the

child and the parent or caregiver. If any of these aspects are unsuccessful, the child's progress through the toilet training process can be unnecessarily delayed due to numerous failures and frustrations.

**[0015]** WO 92/21401 discloses a top and a bottom layer forming an interior space and a mitt opening. It discloses an access flap member at the end of the upper panel or layer which shall afford easy access for a hand portion. This document does not disclose a reinforcing cuff member bonded to the top layer, i.e. to that layer which is the shorter one of the top and bottom layers. Furthermore, it is not disclosed to provide bond lines of the reinforcing cuff member and that these bond lines and the bond lines of the peripheral bond lines overlapping each other.

**[0016]** WO 90/07297 discloses a cleaning article but does not disclose an access flap member at the bottom end of the bottom layer, and a reinforcing cuff member bonded to the top layer.

**[0017]** The present invention intends to overcome these problems. The object is solved by the mitt wipe for wiping and cleaning waste from the body according to independent claim 1 and by the process for making a mitt wipe according to independent claim 15.

**[0018]** Further advantages, features, aspects and details of the invention are evident from the dependent claims, the description and the accompanying drawings.

**[0019]** In one aspect of the present invention there is provided a mitt wipe for wiping and cleaning waste from the body including a mitt body having a top layer with a pair of sides, a bottom end, and a top end, and a bottom layer with a pair of sides, a bottom end, and a top end. The top layer and the bottom layer form an interior space and an opening at the bottom ends thereof. An access flap member at the bottom end of the bottom layer extends outwardly beyond the bottom end of the top layer. A reinforcing cuff member is adjacent the bottom end of the top layer and includes a pair of opposed end portions that are bonded to at least one of the top layer and the bottom layer.

**[0020]** In another aspect of the present invention there is provided a mitt wipe for wiping and cleaning waste from the body including a mitt body of material that includes bondable fibers. The mitt body further includes a periphery, with a portion of the periphery being bonded to define an interior space and an opening. The bonded portion of the periphery has a tear-strength equal to or greater than the tear-strength of the material. An access flap member extends outwardly beyond the opening of the mitt body, and a reinforcing cuff member at the opening is bonded to the mitt body.

**[0021]** In still another aspect of the present invention there is provided a process for making a mitt wipe including continuously moving in a first direction a material having opposed sides, providing a reinforcing cuff member along one of the sides of the material, bonding the reinforcing cuff member to the material, folding the material along a line generally parallel to the first direction,

intermittently bonding the material in a direction that is angularly oriented to the first direction, and cutting the material at locations corresponding to the intermittent bonding to form a plurality of mitt wipes.

**[0022]** The above-mentioned and other features and aspects of this invention and the manner of attaining them will become more apparent, and the invention itself will be better understood by reference to the following description of the invention taken in conjunction with the accompanying drawings, wherein:

Fig. 1 illustrates a top plan view of one embodiment of a child mitt wipe;

Fig. 2 illustrates a cross-sectional view of Fig. 1 taken along line 2-2 and viewed in the direction of the arrows;

Fig. 3 illustrates a cross-sectional view of Fig. 1 taken along line 3-3 and viewed in the direction of the arrows;

Fig. 4 illustrates an enlargement of the encircled area in Fig. 1;

Figs. 5-7 illustrate modifications of the embodiment in Fig. 1;

Fig. 8 illustrates a schematic view of one process for making the embodiment in Fig. 1;

Fig. 9 illustrates a perspective view of one embodiment of a dispenser and interfolded mitt wipes therein;

Fig. 10 illustrates a front elevational view of the embodiment in Fig. 9;

Fig. 11 illustrates a back elevational view of the embodiment in Fig. 9;

Fig. 12 illustrates an end elevational view of the embodiment in Fig. 9;

Fig. 13 illustrates a partially exploded, cross-sectional view of the embodiment in Fig. 12;

Fig. 13A illustrates an enlargement of the encircled area in Fig. 13; and

Fig. 13B illustrates a cross-sectional view of Fig. 10 taken along line 13B-13B and viewed in the direction of the arrows.

**[0023]** Referring primarily to Fig. 1, there is illustrated one embodiment of a mitt wipe 20 in accordance with the principles of the present invention. Mitt wipe 20 is desirably disposable and flushable. The term "dispos-

ble" means that the mitt wipe 20 is to be used once for its intended purpose and thereafter discarded, not to be used again. The term "flushable" means that after the mitt wipe has been used for its intended purpose, it can be flushed in a toilet. Although the following description is with reference to children, the mitt wipe of the present invention can be designed for the elderly, the physically challenged, or the like.

**[0024]** Mitt wipe 20 comprises a mitt body 22 which includes tapered upper portions 24, a periphery 26, an interior space 28 (Fig. 2) for accommodating the hand of a child, and a mitt opening 30 through which the child can place his or her hand. Mitt body 22 further comprises a top layer 32 and a bottom layer 40. Top layer 32 includes opposed sides 34, top end 36, and bottom end 38. Similarly, bottom layer 40 includes opposed sides 42, a top end 44, and a bottom end 46. As can be seen in Fig. 1, both sides 34 of top layer 32 and sides 42 of bottom layer 40 have tapering upper portions corresponding to tapered upper portions 24 of mitt body 22.

**[0025]** An access flap member 48 is associated with bottom layer 40 and extends outwardly beyond (in a downward direction as viewed in Fig. 1) bottom end 38 of top layer 32. Access flap member 48 is "associated" with bottom layer 40 in that access flap member 48 can be an extension of bottom layer 40, or can be a separate structural element attached to bottom layer 40 such that it extends beyond bottom end 38. In this particular embodiment, access flap member 48 is an extension of bottom layer 40, and is thus made of the same material as bottom layer 40.

**[0026]** A reinforcing cuff member 50 is associated with top layer 32, so as to provide at least two layers of material at mitt opening 30. As illustrated in Fig. 2, reinforcing cuff member 50 is constructed as a folded portion of top layer 32, and is folded inwardly toward interior space 28. Reinforcing cuff member 50 may also be formed from top layer 32 by being folded outwardly, or may be a separate structural element. In this embodiment, reinforcing cuff member 50 is a folded inwardly portion of top layer 32, and has a cuff end 39 disposed within interior space 28.

**[0027]** Continuing to refer to Fig. 1, a peripheral bond line 54 joins top layer 32 and bottom layer 40. Peripheral bond line 54 does not bond the total periphery 26 of mitt body 22, but only those edge portions of top layer 32 and bottom layer 40 that must be bonded in order to form interior space 28 and mitt opening 30. In Fig. 1, peripheral bond line 54 extends along sides 34 of top layer 32 and sides 42 of bottom layer 40. The top ends 36 and 44 are not bonded since, in this embodiment and as will be fully described hereafter, mitt body 22 is formed from a layer of material that is folded on itself, appropriately bonded, and then cut in order to form an individual mitt body 22. If desired, both top and bottom layers 32, 40 can be separate structural elements that are bonded, not only along their mutually facing sides 34, 42, but also along their mutually facing top ends 36, 44.

**[0028]** Reinforcing cuff member 50 is bonded to top layer 32 across its width, i.e., a left-to-right direction as viewed in Fig. 1. Figs. 1-2 illustrate the bond between top layer 32 and reinforcing cuff member 50 as two parallel bond lines 56.

**[0029]** In designing mitt wipe 20 of the present invention, it was discovered that, in use, the corners or end portions between top and bottom layers 32, 40 adjacent mitt opening 30 can tear due to the rough handling by a child. Once a tear is initiated at these corners, the tear would generally propagate along peripheral bond line 54, thereby destroying the structure of mitt wipe 20 and frustrating its user. In order to prevent this tearing or rupturing at these corners, opposite end portions 52 of reinforcing cuff member 50 were bonded to top layer 32 and bottom layer 40. Fig. 3 illustrates this bonding of reinforcing cuff member 50, top layer 32, and bottom layer 40. As illustrated in Fig. 3, it is to be understood that top layer 32 and bottom layer 40 are joined, connected, or bonded together, even though reinforcing cuff member 50 is positioned between them. Reinforcing cuff member 50 thus reinforces mitt opening 30 (Fig. 2) at that area of mitt body 22 corresponding to opposite end portions 52 (Fig. 1) by the overlapping of peripheral bond line 54 and parallel bond lines 56.

**[0030]** Reinforcing cuff member 50 also serves other purposes in the present invention. One of these is to help the child identify mitt opening 30, thereby assisting the child in properly using the mitt wipe 20. Another purpose is to allow the child to more easily separate top layer 32 and bottom layer 40, particularly when a desired solution has been applied. For a child with a limited amount of manual dexterity, separating two layers of equal thickness that are pressed flat together can be extremely difficult. Reinforcing cuff member 50 thus not only identifies mitt opening 30 for the child, but also provides extra thickness to top layer 32, thereby minimizing the difficulty in separating top and bottom layers 32, 40 at mitt opening 30.

**[0031]** The cleanup aspect of the toilet training process is aided by reinforcing cuff member 50, which maintains the structural integrity of mitt opening 30, helps identify mitt opening 30 to the young child, and assists the child in separating top and bottom layers 32, 40 so that the child can place his or her hand into interior space 28 of mitt body 22. These three features have been found to be very useful and helpful in encouraging a child during the cleanup aspect of the training process.

**[0032]** Parallel bond lines 56 also serve to assist the child in visually identifying which end of mitt wipe 20 he or she should open in order to properly put on mitt wipe 20. Further, bond lines 56 serve to stiffen reinforcing cuff member 50 in order to further minimize the difficulty in separating top and bottom layers 32, 40 at mitt opening 30. It has been found that two layers will be easier to separate by a child when they have different thicknesses, and/or when they have different stiffness. The purpose and value of reinforcing cuff member 50 should not

be underestimated in assisting and encouraging a child in the use of mitt wipe 20 in his or her cleanup after going to the toilet.

[0033] Although bond lines 56 have been described and illustrated as two parallel bond lines, one or more than two bond lines can be utilized. The number of bond lines will be dependent upon several factors, such as the physical characteristics of the material of which mitt body 22 is made, the type of bonding that forms bond lines 56, or the like.

[0034] Access flap member 48 (Fig. 1) is also important, along with reinforcing cuff member 50, in the proper fitting and use of mitt wipe 20. As with reinforcing cuff member 50, access flap member 48 assists the child in properly identifying mitt opening 30 and in easily and properly placing mitt wipe 20 over the hand. This is particularly useful when mitt body 22 includes a solution that tends to adhere top and bottom layers 32, 40 together, and also when there are a plurality of mitt wipes 20 stacked or interfolded together.

[0035] Referring to Fig. 1, tapered upper portions 24 of mitt body 22 provide a geometric form to mitt body 22 that better fits the outline of a child's hand, which assists the child in properly fitting mitt wipe 20 on his or her hand. Proper fitting of mitt wipe 20 is a significant factor in encouraging the child to want to use mitt wipe 20, and in helping the child to use mitt wipe 20 properly in the cleanup process. Tapered upper portions 24 are cut or formed such that they form an angle with the horizontal, i.e., a left-to-right direction as viewed in Fig. 1, between about 20 degrees to about 60 degrees. This range is provided since children have different size hands. Accordingly, the mitt wipes 20 can be provided in different sizes, both in length and width, in order to accommodate a range of hand sizes. However, if it is desired to have one size mitt wipe 20, a desired range of angles for tapered upper portions 24 is between about 35 degrees to about 45 degrees.

[0036] The material of which mitt body 22 is made is important in the cleanup aspect of the toilet training process. The material should be strong enough to resist tearing during normal use, yet still provide softness to the child's tender skin. One desired material is a composite material comprising a mixture of natural fibers and synthetic fibers. A desired natural fiber is a cellulose fiber, and a desired synthetic fiber is a polypropylene fiber. These fibers can be suitably mixed in a meltblowing process in which the polypropylene fibers are meltblown into a stream of cellulose fibers. In one desired method of meltblowing the polypropylene, the resulting microfibrils have an average diameter of up to only about 10  $\mu\text{m}$  with very few, if any, of the microfibrils exceeding 10  $\mu\text{m}$  in diameter. The average diameter of the microfibrils is usually greater than about 1  $\mu\text{m}$ , and is desirably within the range of about 2 to about 6  $\mu\text{m}$ , with an average of about 5  $\mu\text{m}$ . While the microfibrils are predominantly discontinuous, they generally have a length exceeding that normally associated with staple fibers.

The stream of individualized cellulose fibers typically have a length of about 0.5 to about 10 millimeters and a length-to-maximum-width ratio of about 10:1 to 400:1. A typical cross-section has an irregular width of about 30  $\mu\text{m}$  and a thickness of about 5  $\mu\text{m}$ .

[0037] The meltblowing of synthetic fibers into a stream of cellulose fibers results in an intimate mixture of cellulose fibers and polymeric microfibrils integrated by physical entrapment and mechanical entanglement, while suspended in space during the meltblowing process. Because the microfibrils are longer, thinner, limper, and more flexible than the cellulose fibers, the microfibrils twist around and entangle the relatively short, thick, stiff cellulose fibers as soon as the fiber streams merge. This entanglement interconnects the two different types of fiber with strong, persistent inter-fiber attachments without any significant molecular, adhesive, or hydrogen bonds. In the resulting mixture or matrix, the microfibrils retain a high degree of flexibility, with many of the microfibrils being spaced apart by entanglement with the comparatively stiff cellulose fibers. The entangled cellulose fibers are free to change their orientation when the matrix is subjected to various types of distorting forces, but the elasticity and resiliency of the microfibril network tends to return the cellulose fibers to their original positions when the distorting forces are removed. A coherent integrated fiber structure is thus formed by the mechanical entanglement and interconnection of the two different fibers.

[0038] The microfibrils and the nature of their anchorage to the cellulose fibers provide yielding "hinges" between the fibers in the final structure. The fibers are not rigidly bonded to each other, and their connection points permit fiber rotation, twisting, and bending. At even moderate microfibril content, the structure is capable of providing cloth-like properties of "hand" and "drape," and is conformable while retaining a degree of elasticity and resiliency. Even when wet, such as with water, which softens the cellulose fibers, the material exhibits flexural resiliency and a wet strength comparable to its dry strength. All of these properties are important in providing the desired tear-strength and softness to mitt wipe 20.

[0039] It should also be understood that this containment of the cellulose fibers, and the other characteristics noted above, are achieved in the air-formed material without the addition of adhesives and without any further processing or treatment. Because of the intended use of mitt wipe 20 by a young child, it is desirable that as few additives as necessary are used.

[0040] A wide variety of thermoplastic polymers are useful in forming the meltblown microfibrils, so that the material can be fashioned with different physical properties by the appropriate selection of polymers or combinations thereof. Among many useful thermoplastic polymers are polyolefins, such as polypropylene and polyethylene, polyamides, polyesters such as polyethylene terephthalate, and thermoplastic elastomers such

as polyurethanes.

[0041] One method of measuring tear strength is the determination of the breaking length of the material. This tensile strength test can be conducted with an Instron tester (Model No. A70) using a material sample 2.54 centimeters (1.0 inch) wide and 7.62 centimeters (3.0 inches) long (a longer sample can be used, but only a length of 7.62 centimeters (3 inches) is to be exposed between the jaws of the tester). The sample can be loaded at a rate of 25.4 centimeters (10 inches) per minute at  $^{\circ}21-22^{\circ}\text{C}$  ( $70-72^{\circ}\text{F}$ ) and at 40-50 percent relative humidity. The measured tensile strength is divided by the basis weight of the sample to give the breaking length. To measure the wet breaking length, the sample is immersed in water for 30 seconds and then laid on a blotter to remove excess water before testing. To measure re-dried breaking length, the sample is wetted and then air dried before testing.

[0042] A more detailed explanation of the meltblowing process and the materials made thereby can be found in U.S. Patent No. 4,100,324 issued July 11, 1978, and assigned to the assignee of the present application, the contents of which are incorporated by reference herein.

[0043] When using this type of material, it is desired that the natural fibers be present in an amount between about 80 percent to about 55 percent by weight of the total weight of the material, and the synthetic fibers present in an amount between about 20 percent to about 45 percent by weight of the total weight of the material. In a desired embodiment, the cellulosic fibers are present in an amount of about 65 percent by weight of the total weight of the material, and the polypropylene fibers are present in an amount of about 35 percent by weight of the total weight of the material.

[0044] It is also desired that the basis weight of the material be in the range of about 50 grams per square meter to about 100 grams per square meter, with a desired basis weight of about 75 grams per square meter.

[0045] Mitt body 22 can be made of an all natural fiber material, such as cellulosic fibers, cotton linters, rayon, flax, or the like, or of an all synthetic fiber material, such as polypropylene fibers, polyester fibers, and polyethylene fibers. Still other types of synthetic fibers include water-soluble or water-dispersible polymers, such as polyethyloxazoline, polyethylene oxide, polyvinyl acetate, polyvinyl alcohol, water-dispersible acrylic polymers, starch polymers, or the like.

[0046] It may be desirable to include a solution with the material of mitt body 22. Some of the desired features of an appropriate solution are the moisturizing of the child's skin, improved cleaning of the child's skin, and keeping the mitt wipe 20 clean and fresh prior to use. One desirable solution is that used in the commercially available wipes under the trade designation KLEENEX<sup>®</sup> HUGGIES<sup>®</sup> Baby Wipes.

[0047] One advantage of using synthetic fibers in mitt body 22 is that the synthetic fibers permit the material of mitt body 22 to be ultrasonically bonded, as opposed

to being adhesively bonded. This is particularly advantageous when a solution is used with mitt body 22. If an adhesive substance is used to bond the material together in order to form mitt wipe 20, there is concern that a potential chemical interaction between the adhesive substance and the solution could negatively affect the solution. By ultrasonically bonding materials together, the problem of potential chemical interaction can be eliminated. Other advantages of ultrasonically bonding the material are the material's shelf life being extended, and the use of higher manufacturing speeds, compared, for example, to the application of hot melt adhesive.

[0048] As viewed in Fig. 4, a preferred ultrasonic bond is a chevron pattern that provides better resistance to tearing than straight-line bonding. It is also desired that the pattern include a minimum of 8 bonds per lineal inch, naturally assuming that the bond line is not a continuous bond line.

[0049] Ultrasonic bonding is a type of fusion bonding in which the adhering or cohering mechanism is provided by the materials involved in the process. For example, with the composite material described above, it is the synthetic fibers that provide the bonding between the layers of material. Other examples of fusion bonding include thermal bonding or heat bonding.

[0050] Another type of bonding suitable for the present invention is mechanical bonding such as for example, hydroentangling, crimping, embossing, and needle punching. These methods are particularly suitable for bonding materials made of all natural fibers.

[0051] These methods of bonding do not require a third agent, such as an adhesive that can negatively affect or neutralize a solution in the material of which mitt body 22 is made, in order to join the layers together.

[0052] With reference to the bonding used in constructing mitt wipe 20, it is desired that the tear strength of the bonding, for example, peripheral bond line 54, be greater than or equal to the tear strength of the material of which mitt body 22 is made.

[0053] It was earlier described that mitt wipe 20 (Fig. 1) can be manufactured in various sizes. A desired mitt wipe 20 has a length, as measured between bottom end 46 and top end 44, of about 13.3 centimeters (5.25 inches), and a total width between sides 34 of about 11.4 centimeters (4.5 inches). The length of access flap member 48, measured between bottom ends 38, 46, is desired to be about 1.3 centimeters (0.5 inch), as is the desired length of reinforcing cuff member 50, as measured between bottom end 38 and cuff end 39 (Fig. 2) of reinforcing cuff member 50. An important dimension of mitt wipe 20 is the inside width of interior space 28 between the parallel portions of peripheral bond line 54. This measurement is taken between the parallel portions of sides 42 in a direction generally transverse to peripheral bond line 54. In Fig. 1, this measurement is between the innermost portions of bond line 54, as indicated by numeral 58. This minimum desired width of interior space 28 is equal to or greater than about 10.2

centimeters (4 inches). It has been discovered that this width corresponds to a mitt opening 30 having a perimeter that best permits the child's hand to reach into interior space 28, so that the child's hand does not apply too great of a stress along the bonded portions, such as along peripheral bond line 54, and specifically at end portions 52 of reinforcing cuff member 50. This minimum width dimension allows the child to easily put on and take off mitt wipe 20, while maintaining the mitt wipe 20 properly on the hand, i.e., preventing rotation or slipping of the mitt wipe 20 on the hand. Any rotation or slipping, or any other action that causes improper fit, will negatively impact both the cleaning process and the toilet training process of the child.

[0054] Figs. 5-7 illustrate other modifications to mitt wipe 20. In Fig. 5, there are no tapered upper portions 24. They have been replaced with squared upper portions 60, in which "squared" refers to an angle of about 90 degrees. Fig. 6 illustrates a modification in which tapered upper portions 24 have been replaced with curved upper portions 62, and Fig. 7 illustrates a modification in which tapered upper portions have been replaced with a fully rounded upper portion 64 and in which top and bottom layers 32, 40 (Fig. 2) are separate structural elements joined together as earlier described. Although not illustrated, the present invention contemplates other modifications to the design of mitt wipe 20.

[0055] One process of making a child mitt wipe 20 is illustrated in Fig. 8 in which a continuously moving material 66 including opposed sides 68 is continuously moved in a first direction indicated by arrow 70. Material 66 is folded by folding board 72, thereby providing a continuous reinforcing cuff member 50, and then proceeds to a rotary ultrasonic bonder 74 that ultrasonically bonds reinforcing cuff member 50 to material 66, thereby providing continuous bond line 56. Thereafter, a folding board 78 folds material 66 along a fold line 76 to form a continuous access flap member 48. Once folded along fold line 76, material 66 proceeds to rotary ultrasonic bonder 80 for intermittently ultrasonically bonding material 66 with a generally Y-shaped bond pattern 84. Thereafter, a contour cutter 86 trims portions 88 from material 66; portions 88 being the top portions of the generally Y-shaped bond pattern 84. Once trimmed, material 66 proceeds to turning bar 90 which turns or moves material 66 in a generally vertical direction to applicator system 92. Applicator system 92 then applies, if desired, a solution to material 66. Because of the vertical orientation of material 66, any excess solution moves by gravity downwardly towards material 66 that is yet to be sprayed by applicator system 92. After applying a solution to material 66, it proceeds to a turning bar 94 that moves material 66 towards a cutting station 96 which cuts material 66 along locations 82, thereby forming a plurality of mitt wipes 20. Thereafter, the mitt wipes 20 proceed to a stacking station 98 for stacking, or alternatively to an interfolding station 100 for interfolding the individual mitt wipes 20 prior to being stacked. Thereaf-

ter, the mitt wipes 20 proceed to packaging station 102 for suitable packaging.

[0056] Referring now to Figs. 9-13, a dispenser 104 is illustrated containing therein a plurality of interfolded mitt wipes 106. Hereafter, the numeral 106 is used to designate a plurality of interfolded mitt wipes in dispenser 104, and a single mitt wipe to be dispensed from dispenser 104. Dispenser 104 is desirably reusable, so that once mitt wipes 106 have been depleted, a new supply of mitt wipes 106 can be placed in dispenser 104. Generally, dispenser 104 can be reused indefinitely as long as proper care is taken to prevent it from becoming broken, bent, cracked, or otherwise unusable. As illustrated in Fig. 9, mitt wipes 106 are interfolded in that each mitt wipe 106 is folded in half and then appropriately mated or nested with a similarly folded mitt wipe 106. This permits each mitt wipe 106, upon being removed from dispenser 104, to pull the next mitt wipe 106 into a position so that it can be easily removed. The present invention also contemplates that mitt wipes 106 can be folded in any other manner, such as a fold greater or less than a half fold, or can be unfolded and laid flat, one upon the other.

[0057] Dispenser 104 (Fig. 9) comprises a lid member 108 that is hingedly joined to a rigid, flexible tub body 124. Lid member 108 (Figs. 9 and 13) includes a top wall 110 and a continuous side member 112 which extends outwardly from top wall 110. Generally, top wall 110 and continuous side member 112 will form an angle between about 80 degrees to about 100 degrees with each other. Continuous side member 112 includes opposite side members 114 (Fig. 9), a front member 116, a back member 118, and a peripheral edge portion 120 (Figs. 13A-B). A hinge portion 122 joins lid member 108 to tub body 124, so that lid member 108 can be moved between an open position, as illustrated in Fig. 9, and a closed position, as illustrated in Fig. 10.

[0058] In Figs. 9 and 13, an access strip member 126 is constructed in top wall 110, and is removable and replaceable therefrom so as to define an access opening 128. As will be described hereafter, an individual mitt wipe 106 can be dispensed through access opening 128, which has a length 130 (Fig. 9) greater than a length 132 of mitt wipes 106. Access strip member 126, upon being removed, defines access opening 128 having tapering sides 134 (Fig. 13). Access strip member 126 comprises tapering sides 136, a bottom side 138, and a top side 140. Desirably, top side 140 is, when access strip member 126 is properly positioned in access opening 128, generally coplanar with the uppermost surface of top wall 110 of lid member 108. Tapering sides 134, 136 are complementary surfaces such that they are in mutually facing contact when access strip member 126 is properly positioned in access opening 128. The complementary fit of tapering sides 134, 136 provide the features of inhibiting the evaporation or separation of a solution applied to mitt wipes 106, and of preventing access strip member 126 from falling inside tub body 124.

[0059] Access strip member 126 is removable and replaceable, as necessary according to the desires of the user, and is maintained in its position in access opening 128 by an appropriate holding means 142, which in this embodiment is a suitable release tape that can be re-adhered numerous times to top wall 110 of lid member 108. Holding means 142 prevents access strip member 126 from accidentally falling out, and further inhibits the evaporation or separation of a solution from mitt wipes 106. If desired, holding means 142 can keep access strip member 126 joined to lid member 108 when removed, so that access strip member 126 does not become lost. This can be accomplished in any suitable manner, such as with a string member or other structure that keeps access strip member 26 from totally separating from lid member 108.

[0060] The purpose and function of lid member 108 is important to the desired performance of dispenser 104 in properly dispensing mitt wipes 106. Dispenser 104 comprises a tub body 124 that acts in cooperation with lid member 108 to provide a dispenser that can be easily used by a child going through the toilet training stage. In this respect, the length, width, and height of dispenser 104 are important in insuring a child can easily hold dispenser 104 while easily dispensing a single mitt wipe 106 therefrom. Some conventional containers for containing wet wipes, or the like, are larger and/or cumbersome in that they require the child to use two hands to hold the containers, thereby making it difficult for the child both to hold the container and easily dispense a single wipe 20 therefrom.

[0061] Referring to Fig. 9, dispenser 104 has a length 144, a width 146, and a height 148. One set of desired dimensions for dispenser 104 is a length between about 10.2-12.7 centimeters (4 to about 5 inches), a width between about 6.4-8.9 centimeters (2.5 to about 3.5 inches), and a height between about 7.6-10.2 centimeters (3 to about 4 inches). In order for a child to properly and easily handle dispenser 104 and the plurality of mitt wipes 106 therein, it is important that at least either the length 144 or width 146 have a dimension equal to or less than about 10.2 centimeters (4 inches). It has been discovered that children passing through the toilet training stage can vary in age generally between about two years old and about five years old. In this particular age range, the body can grow dramatically, such that a two-year-old child may only have half the hand span as he or she will have at the age of five. It is important, therefore, that children with smaller hand spans are able to dispense a mitt wipe 106 as easily as older children with greater hand spans. It has been determined that a length or width dimension equal to or less than about 10.2 centimeters (4 inches) allows most any child in this age range to easily and firmly grasp dispenser 104 in one hand, so that mitt wipes 106 can be easily dispensed therefrom with the other hand. If the child is required to handle and manipulate dispenser 104 with both hands, then it will be very difficult to dispense mitt

wipes 106 one at a time, and this is particularly so if mitt wipes 106 include a solution. It is important to both the parent, or caregiver, and child that the child not be discouraged or frustrated during this very sensitive and important stage of his or her maturing process.

[0062] Still referring to Fig. 9, tub body 124 comprises a continuous side wall 150 defined by opposite side walls 152, a front wall 154, a back wall 156, and a bottom wall 158. Continuous side wall 150 further includes a peripheral rim portion 160 (Figs. 13A-B), and defines a tub interior 162 and a tub opening 164.

[0063] Referring to Figs. 13-13B, a sealing means 166 (Fig. 13B) between peripheral edge portion 120 and peripheral rim portion 160 serves to properly position lid member 108 (Fig. 9) over tub opening 164 (Fig. 9) and to inhibit the separation or evaporation of a solution applied to mitt wipes 106. Sealing means 166 includes a downwardly extending flange 168 (Fig. 13B) of peripheral edge portion 120, an upwardly extending flange 170 of peripheral rim portion 160, and a support surface 172 of peripheral rim portion 160. The terms "downwardly" and "upwardly" are to be read and understood with reference to Figs. 13-13B. Regardless of the description of the orientation of flanges 168, 170, it is important that they provide complementary sealing edges about tub opening 164. In this respect, flanges 168, 170 can be totally peripherally arranged around lid member 108 and tub opening 164, respectively. Whether or not flanges 168, 170 are totally peripherally arranged depends upon the construction of hinge portion 122 (Fig. 9). For example, if hinge portion 122 directly joins the edges of lid member 108 and tub body 124, then flanges 168, 170 will stop at hinge portion 122. On the other hand, if hinge portion 122 is a strap-type hinge, i.e., a strap that overlaps the edges of lid member 108 and tub body 124, then flanges 168, 170 will be arranged around the total periphery of lid member 108 and tub opening 164. In any event, when lid member 108 is in the closed position, downwardly extending flange 168 and upwardly extending flange 170 mutually contact one another, with flange 168 resting on support surface 172, although not shown this way in Fig. 13B for purposes of explanation and understanding. Other constructions that provide a complementary fit between lid member 108 and tub body 124 are contemplated by the present invention.

[0064] Important to the construction of sealing means 166 (Fig. 13B) is that upwardly extending flange 170 is inwardly disposed of downwardly extending flange 168 relative to tub interior 162 (Fig. 9). Since dispenser 104 is desirably made of a rigid, but flexible material, when dispenser 104 is firmly grasped in the hand, continuous side wall 150 (Fig. 9) can flex inwardly at the point of applied force. This same force can also cause portions of continuous side wall 150 adjacent or near to the point of applied force to flex outwardly. This outwardly flexing can cause flange 170 to be forced against flange 168, thereby further securing lid member 108 in the closed position against tub body 124.



**[0065]** Referring to Figs. 13-13A, a positive latching means 174 latches or locks lid member 108 to tub body 124. The term "positive latching" means that when positioned in the latched or locked position, the user will hear or feel a "snap" when the latching or locking occurs. This can be important to the child in properly using dispenser 104. The positive latching means 174 comprises an outer finger latch 176 extending downwardly, as viewed in Fig. 13, from peripheral edge portion 120 (Fig. 13A). The outer finger latch 176 includes a wedge-like tip 178 having a locking surface 180. A wedge-like extension 182 is formed or constructed on peripheral rim portion 160. Wedge-like extension 182 has a locking surface 184 that forcibly engages locking surface 180 when wedge-like tip 178 is snapped over wedge-like extension 182. At least one inner guide pin 186 extends downwardly and is spaced inwardly of outer finger latch 176 a distance sufficient to allow an upper end portion 188 of front wall 154 to slide therebetween. By moving upper end portion 188 between outer latch finger 176 and at least one inner guide pin 186, the locking surfaces 180, 184 are properly positioned so as to latch or lock together, and to maintain upper end portion 188 in a secure or firm position.

**[0066]** In most cases, the frequency of use of interfolded mitt wipes 106 (Fig. 9) will dictate whether or not lid member 108 is in the open or closed position, and whether or not access strip member 126 is positioned in access opening 128. For example, if mitt wipes 106 are going to be used frequently such that there is no or very little concern with a solution evaporating or separating from mitt wipes 106, then lid member 108 will be secured over tub opening 164 by means of positive latching means 174. Holding means 142 (Fig. 13) will then be activated, such as by removing a release tape, which will result in access strip member 126 being removed and exposing access opening 128. Thereafter, the uppermost interfolded mitt wipe 106 can be threaded through access opening 128, with lid member 108 then being placed in the closed position. Upon grasping the exposed mitt wipe 106 and pulling it through access opening 128, the interfolding of mitt wipes 106 will cause the next mitt wipe 106 to be pulled partially through access opening 128.

**[0067]** If a solution has been applied to mitt wipes 106, the mitt wipes 106 can tend to stick or adhere together such that the pulling upwardly or outwardly of a mitt wipe 106 from access opening 128 can cause dispenser 104 to also be lifted due to the strength of the adhesion between mitt wipes 106. This is why the dimensions of dispenser 104 are important to its proper use by a child. If the child cannot easily grasp dispenser 104 firmly with one hand in order to dispense a mitt wipe 106 with the other hand, then the child can become quickly discouraged with the cleanup process. However, in accordance with the present invention, the length 104 and/or width 146 has a dimension equal to or less than about 10.2 centimeters (4 inches), thereby permitting the child to

easily and firmly grasp dispenser 104 with one hand, while dispensing a mitt wipe 106 with the other hand.

**[0068]** If instead of using interfolded mitt wipes 106 on a frequent basis, they will only be used infrequently, and there is a desire to ensure a solution, if present, does not evaporate or separate, then access strip member 126 can be positioned and secured in access opening 128 with holding means 142, such as a release tape, to prevent it from falling out of access opening 128. Access opening 128 will then be sealed by the fit or engagement of tapering sides 134, 136 and the sealing provided by holding means 142. Furthermore, additional sealing is provided about tub opening 164 by sealing means 166 as earlier described.

**[0069]** In order to remove a single mitt wipe 106, the user can insert his or her finger between outer finger latch 176 (Fig. 13A) and front wall 154, thereby levering or separating wedge-like tip 178 from wedge-like extension 182. Once locking surfaces 180, 184 are separated, outer finger latch 176 can be moved upwardly, as viewed in Fig. 13, to open lid member 108. Once open, the user can remove as many mitt wipes 106 as desired, and then close lid member 108 to seal mitt wipes 106 within tub body 124.

**[0070]** Dispenser 104 can be made of any suitable material or materials, and can be manufactured in any suitable manner. For example, dispenser 104 can be made of polystyrene, polypropylene, polyethylene, polyester, or the like, and can be manufactured by, for example, a vacuum molding process or an injection molding process. The structural elements of dispenser 104, for example, top wall 110, continuous side member 112, continuous side wall 150, and bottom wall 158, can have any desired thickness. A suitable range of thickness for a dispenser 104 is between about 0.006 mm to about 0.01 mm (0.25 mils to about 0.42 mils).

**[0071]** While this invention has been described as having a preferred embodiment, it will be understood that it is capable of further modifications. This application is therefore intended to cover any variations, uses, equivalents, or adaptations of the invention following the general principles of, and including such departures from the present disclosure as come or may come within known or customary practice in the art to which this invention pertains and fall within the limits of the appended claims.

#### Claims

1. A mitt wipe (20) for wiping and cleaning waste from the body, comprising:

a mitt body (22) comprising (i) a top layer (32) including a pair of opposed sides (34), a bottom end (38) and a top end (36), and (ii) a bottom layer (40) including a pair of opposed sides (42), a bottom end (46), and a top end (44), said

- top layer (32) and said bottom layer (40) being bonded by a peripheral bond line (54) and forming an interior space (28) and a mitt opening (30) at said bottom ends,
- an access flap member (48) at said bottom end of said bottom layer (38), and extending outwardly beyond said bottom end (40) of said top layer (32), and
- a reinforcing cuff member (50) adjacent said bottom end (38) of said top layer (32) and bonded thereto by one or more bond lines (56), and comprising a pair of opposed end portions (52),
- said opposed end portions (52) of said reinforcing cuff member (50) being bonded to at least one of said top layer (32) and said bottom layer (40), wherein said peripheral bond line (54) and said bond lines (56) are overlapping each other.
2. The mitt wipe of claim 1 wherein said mitt body (22) is made of a material comprising an entangled mixture of natural fibers and synthetic fibers.
  3. The mitt wipe of claim 2 wherein said synthetic fibers are ultrasonically bondable.
  4. The mitt wipe of claim 1 wherein said mitt body (22) is made of a material consisting essentially of natural fibers, and wherein said natural fibers are mechanically bondable.
  5. The mitt wipe of one of claims 2 or 3 wherein said natural fibers are in an amount between about 55 percent to about 80 percent of the total weight of said material, and said synthetic fibers are present in an amount between about 45 percent to about 20 percent of the total weight of said material.
  6. The mitt wipe of claim 1 wherein said mitt body is made of a material consisting essentially of synthetic fibers, and wherein said synthetic fibers are fusion bondable.
  7. The mitt wipe of one of claims 2 to 6 wherein said material has a basis weight between about 50 grams per square meter to about 100 grams per square meter.
  8. The mitt wipe of one of the preceding claims wherein said mitt body (22) is made of a material having a solution applied thereto.
  9. The mitt wipe of one of the preceding claims wherein said mitt wipe (20) is flushable.
  10. The mitt wipe of one of the preceding claims, where-
- in said mitt body (22) comprises a periphery (26) with a portion of said periphery (26) being bonded to define said interior space (28) and said mitt opening (30), said bonded portion having a tear-strength equal to or greater than a tear-strength of said material.
11. The mitt wipe of one of the preceding claims, wherein said mitt body (22) is of a material comprising bondable fibers.
  12. The mitt wipe of one of the preceding claims, wherein said access flap member (48) is at said mitt opening (30) and extending outwardly therefrom.
  13. The mitt wipe of one of the preceding claims, wherein said reinforcing cuff member (50) is at said mitt opening (30) and being bonded to said mitt body (22).
  14. The mitt wipe of one of the preceding claims wherein said interior space has a minimum width dimension of at least about 10 centimeters.
  15. A process for making a mitt wipe as claimed in claim 1, comprising:
    - continuously moving in a first direction a material comprising opposed sides, providing a reinforcing cuff member along one of the sides of the material, bonding the reinforcing cuff member to the material, folding the material along a fold-line that is generally parallel to the first direction, intermittently bonding the material in a direction that is angularly oriented to the first direction, and cutting the material at locations corresponding to the intermittent bonding.
  16. The process of claim 15 further comprising applying a solution to the material.
  17. The process of one of claims 15 or 16 wherein the bonding is ultrasonic bonding, and/or the intermittent bonding is intermittent ultrasonic bonding.
  18. The process of one of claims 15 to 17 further comprising trimming away selected portions of the material.
  19. The process of one of claims 15 to 18 further comprising interfolding the plurality of mitt wipes, and placing the mitt wipes in a dispenser.

### Patentansprüche

1. Abwischhandschuh (20), um Ausscheidungen vom Körper abzuwischen und zu reinigen, umfassend:
- 5 einen Handschuhkörper (22), umfassend (i) eine obere Schicht (32), umfassend ein Paar gegenüberliegende Seiten (34), ein unteres Ende (38) und ein oberes Ende (36), und (ii) eine untere Schicht (40), umfassend ein Paar gegenüberliegende Seiten (42), ein unteres Ende (46) und ein oberes Ende (44), wobei die obere Schicht (32) und die untere Schicht (40) durch eine periphere Verbindungslinie (54) verbunden sind und einen inneren Raum (28) und eine Handschuhöffnung (30) an den unteren Enden bilden,
- 10 ein Zugangsklappenelement (48) an dem unteren Ende der unteren Schicht (38), und sich nach außen erstreckend über das untere Ende (38) der oberen Schicht (32) hinaus, und
- 15 ein Verstärkungsaufschlagelement (50) angrenzend an das untere Ende (38) der oberen Schicht (32), und hiermit verbunden durch eine oder mehrere Verbindungslinien (56), und mit einem Paar gegenüberliegender Endabschnitte (52),
- 20 wobei die gegenüberliegenden Endabschnitte (52) des Verstärkungsaufschlagelements (50) mit mindestens einer Schicht ausgewählt aus der oberen Schicht (32) und der unteren Schicht (40) verbunden sind, wobei die periphere Verbindungslinie (54) und die Verbindungslinien (56) sich überlappen.
- 25
2. Abwischhandschuh nach Anspruch 1, wobei der Handschuhkörper (22) aus einem Material hergestellt ist, das eine verschlungene Mischung von natürlichen und synthetischen Fasern umfaßt.
- 30
3. Abwischhandschuh gemäß Anspruch 2, wobei die synthetischen Fasern ultraschallverbindbar sind.
- 35
4. Abwischhandschuh nach Anspruch 1, wobei der Handschuhkörper (22) aus einem Material hergestellt ist, das im wesentlichen aus natürlichen Fasern besteht, und wobei die natürlichen Fasern mechanisch verbindbar sind.
- 40
5. Abwischhandschuh nach einem der Ansprüche 2 oder 3, wobei die natürlichen Fasern in einer Menge zwischen etwa 55 Prozent bis etwa 80 Prozent des gesamten Gewichts des Materials vorliegen, und die synthetischen Fasern in einer Menge zwischen etwa 45 Prozent bis etwa 20 Prozent des gesamten
- 45
6. Abwischhandschuh nach Anspruch 1, wobei der Handschuhkörper aus einem Material hergestellt ist, das im wesentlichen aus synthetischen Fasern besteht, und wobei die synthetischen Fasern schmelzverbindbar sind.
- 50
7. Abwischhandschuh nach einem der Ansprüche 2 bis 6, wobei das Material ein Flächengewicht zwischen etwa 50 Gramm pro Quadratmeter bis etwa 100 Gramm pro Quadratmeter aufweist.
8. Abwischhandschuh, nach einem der vorhergehenden Ansprüche, wobei der Handschuhkörper (22) aus einem Material mit einer darauf aufgetragenen Lösung hergestellt ist.
9. Abwischhandschuh nach einem der vorhergehenden Ansprüche, wobei der Abwischhandschuh (20) wegpülbar ist.
10. Abwischhandschuh nach einem der vorhergehenden Ansprüche, wobei der Handschuhkörper (22) eine Peripherie (26) umfaßt, wobei ein Abschnitt der Peripherie (26) gebunden ist, um den inneren Raum (28) und die Handschuhöffnung (30) zu definieren, wobei der gebundene Abschnitt eine Reißfestigkeit gleich oder größer als eine Reißfestigkeit des Materials aufweist.
11. Abwischhandschuh nach einem der vorhergehenden Ansprüche, wobei der Handschuhkörper (22) aus einem Material hergestellt ist, das bindbare Fasern umfaßt.
12. Abwischhandschuh nach einem der vorhergehenden Ansprüche, wobei das Zugangsklappenelement (48) an der Handschuhöffnung (30) ist und sich davon nach außen erstreckt.
13. Abwischhandschuh nach einem der vorhergehenden Ansprüche, wobei das Verstärkungsaufschlagelement (50) an der Handschuhöffnung (30) und mit diesem Handschuhkörper (22) verbunden ist.
14. Abwischhandschuh nach einem der vorhergehenden Ansprüche, wobei der innere Raum eine minimale Breitenabmessung von mindestens etwa 10 Zentimetern aufweist.
15. Verfahren, um einen Abwischhandschuh gemäß Anspruch 1 herzustellen, umfassend:
- 55 kontinuierliches Bewegen in einer ersten Richtung eines Materials, das gegenüberliegende Seiten umfaßt,

- Zurverfügungstellen eines Verstärkungsaufschlagelements entlang einer der Seiten des Materials,
- Verbinden des Verstärkungsaufschlagelements mit dem Material, 5
- Falten des Materials entlang einer Faltlinie, die im allgemeinen parallel zu der ersten Richtung ist, 10
- diskontinuierliches Verbinden des Materials in einer Richtung, die winkelig zu der ersten Richtung orientiert ist, und
- Schneiden des Materials an Stellen entsprechend dem diskontinuierlichen Verbinden. 15
16. Verfahren nach Anspruch 15, des weiteren umfassend Aufbringen einer Lösung auf das Material. 20
17. Verfahren nach Anspruch 15 oder 16, wobei das Verbinden Ultraschallverbinden ist, und/oder wobei das diskontinuierliche Verbinden diskontinuierliches Ultraschallverbinden ist. 25
18. Verfahren nach einem der Ansprüche 15 bis 17, des weiteren umfassend das Wegtrimmen ausgewählter Abschnitte des Materials.
19. Verfahren nach einem der Ansprüche 15 bis 18, weiter umfassend Ineinanderfalten der Mehrzahl von Abwischhandschuhen, und Positionieren der Abwischhandschuhe in einem Spender. 30
20. Gant de toilette selon la revendication 1, dans lequel ledit corps de gant (22) est fait d'un matériau comprenant un mélange enchevêtré de fibres naturelles et de fibres synthétiques. 35
21. Gant de toilette selon la revendication 2, dans lequel ledit corps de gant (22) est fait d'un matériau consistant essentiellement en fibres naturelles et dans lequel lesdites fibres naturelles sont liables mécaniquement. 40
22. Gant de toilette selon l'une des revendications 2 ou 3, dans lequel lesdites fibres naturelles sont présentes en une quantité comprise entre environ 55 % et environ 80 % du poids total dudit matériau, et lesdites fibres synthétiques sont présentes en une quantité comprise entre environ 45 % et environ 20 % du poids total dudit matériau. 45
23. Gant de toilette selon la revendication 1, dans lequel ledit corps de gant est fait d'un matériau consistant essentiellement en fibres synthétiques, et dans lequel lesdites fibres synthétiques sont liables par fusion. 50
24. Gant de toilette selon l'une des revendications 2 à 6, dans lequel ledit matériau a un poids de base compris entre environ 50 g/m<sup>2</sup> et environ 100 g/m<sup>2</sup>. 55
25. Gant de toilette selon l'une des revendications précédentes, dans lequel ledit corps de gant (22) est fait d'un matériau auquel est appliquée une solution.
26. Gant de toilette selon l'une des revendications précédentes, jetable dans les toilettes.
27. Gant de toilette selon l'une des revendications précédentes, dans lequel ledit corps de gant (22) comprend une périphérie (26), une portion de ladite

### Revendications

1. Gant de toilette (20) pour essuyer et nettoyer des souillures corporelles, comprenant :

un corps de gant (22) comprenant (i) une couche supérieure (32) présentant une paire de côtés opposés (34), une extrémité inférieure (38) et une extrémité supérieure (36), et (ii) une couche inférieure (40) présentant une paire de côtés opposés (42), une extrémité inférieure (46) et une extrémité supérieure (44), ladite couche supérieure (32) et ladite couche inférieure (40) étant réunies par une ligne de réunion (54) périphérique et formant un espace intérieur (28) et une ouverture de gant (30) au niveau desdites extrémités inférieures, un élément formant volet d'accès (48) au niveau de ladite extrémité inférieure de ladite couche inférieure (40) et se projetant vers l'extérieur au-delà de ladite extrémité inférieure (38) de ladite couche supérieure (32), et

un élément formant poignet renforcé (50) adjacent à ladite extrémité inférieure (38) de ladite couche supérieure (32) et réuni à celle-ci par une ou plusieurs lignes de réunion (56), et comprenant une paire de portions d'extrémité opposées (52), lesdites portions d'extrémité opposées (52) dudit élément formant poignet renforcé (50) étant réunies à l'une au moins de ladite couche supérieure (32) et de ladite couche inférieure (40), ladite ligne de réunion (54) périphérique et lesdites lignes de réunion (56) se chevauchant l'une l'autre.

- riphérie (26) étant liée pour définir ledit espace intérieur (28) et ladite ouverture de gant (30), ladite portion liée ayant une résistance à la déchirure égale ou supérieure à une résistance à la déchirure dudit matériau. 5
11. Gant de toilette selon l'une des revendications précédentes, dans lequel ledit corps de gant (22) est en un matériau comprenant des fibres liables. 10
12. Gant de toilette selon l'une des revendications précédentes, dans lequel ledit élément formant volet d'accès (48) est situé au niveau de ladite ouverture de gant (30) et se projette vers l'extérieur depuis celle-ci. 15
13. Gant de toilette selon l'une des revendications précédentes, dans lequel ledit élément formant poignet renforcé (50) est au niveau de ladite ouverture de gant (30) et lié audit corps de gant (22). 20
14. Gant de toilette selon l'une des revendications précédentes, dans lequel ledit espace intérieure a une dimension minimale en largeur d'au moins environ 10 cm. 25
15. Procédé de fabrication d'un gant de toilette selon la revendication 1, comprenant :
- le déplacement continu, dans une première direction, d'un matériau ayant des côtés opposés, 30
  - la fourniture d'un élément formant poignet renforcé le long de l'un des côtés du matériau, 35
  - la liaison de l'élément formant poignet renforcé au matériau,
  - le pliage du matériau le long d'une ligne de pliage qui est généralement parallèle à la première direction, 40
  - la liaison intermittente du matériau dans une direction qui est en biais par rapport à la première direction, et 45
  - la découpe du matériau en des emplacements correspondant à la liaison intermittente.
16. Procédé selon la revendication 15, comprenant en outre l'application d'une solution au matériau.
17. Procédé selon l'une des revendications 15 ou 16, dans lequel la liaison est une liaison par ultrasons, et/ou la liaison intermittente est une liaison par ultrasons intermittente. 50
18. Procédé selon l'une des revendications 15 à 17, comprenant en outre l'élimination de portions sélectionnées du matériau. 55
19. Procédé selon l'une des revendications 15 à 18,

comprenant en outre le pliage entre eux d'une pluralité de gants de toilette, et la mise en place des gants de toilette dans un distributeur.

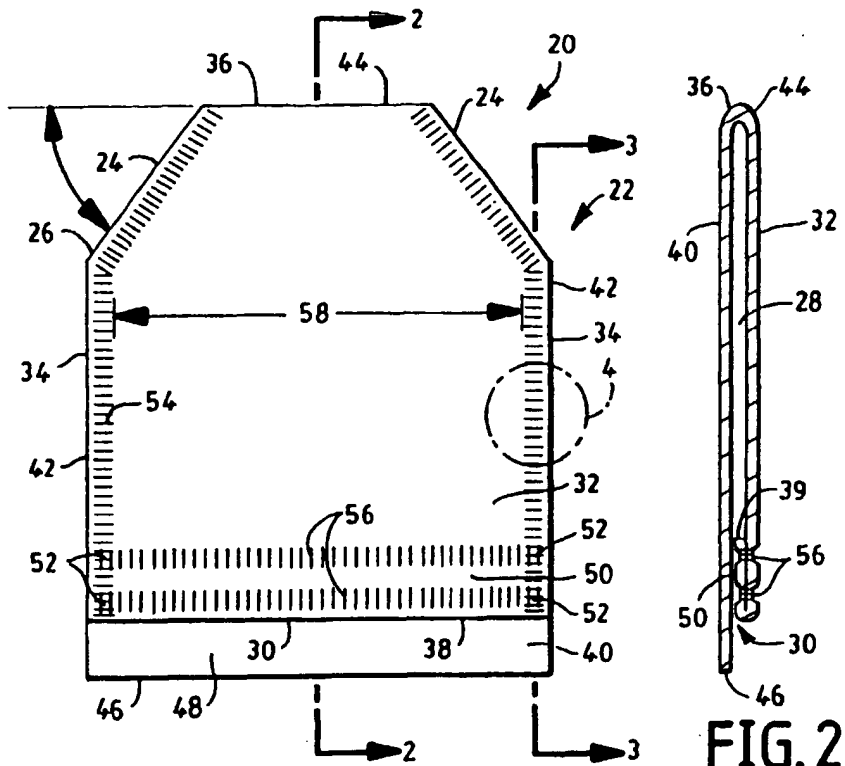


FIG. 1

FIG. 2

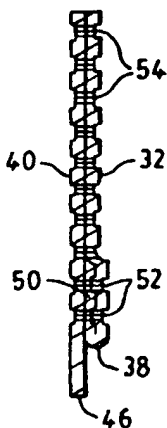


FIG. 3

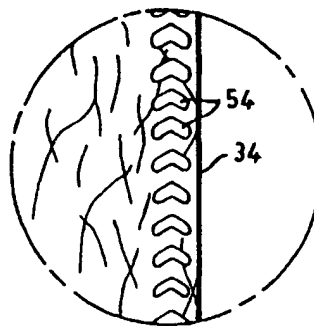


FIG. 4

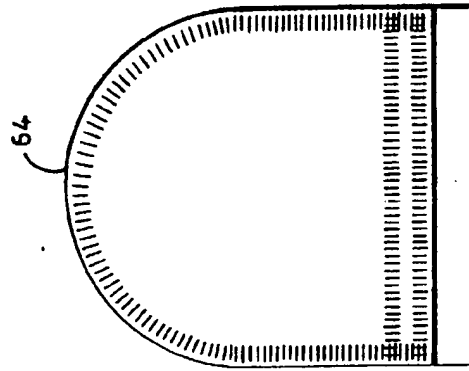


FIG. 5

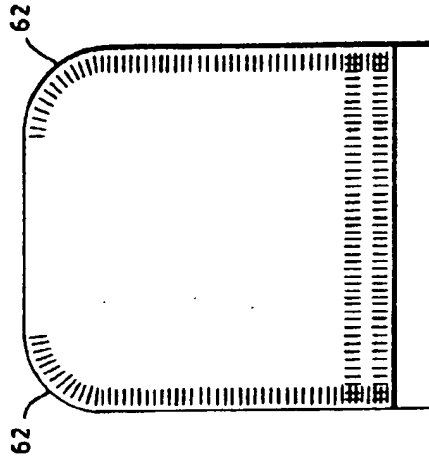


FIG. 6

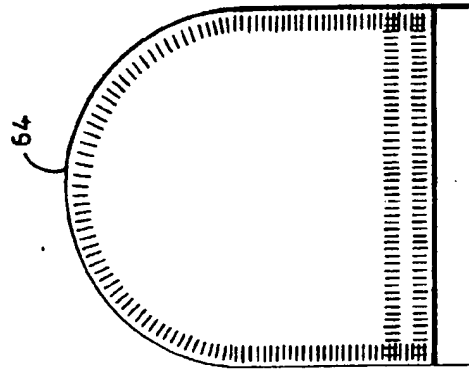


FIG. 7

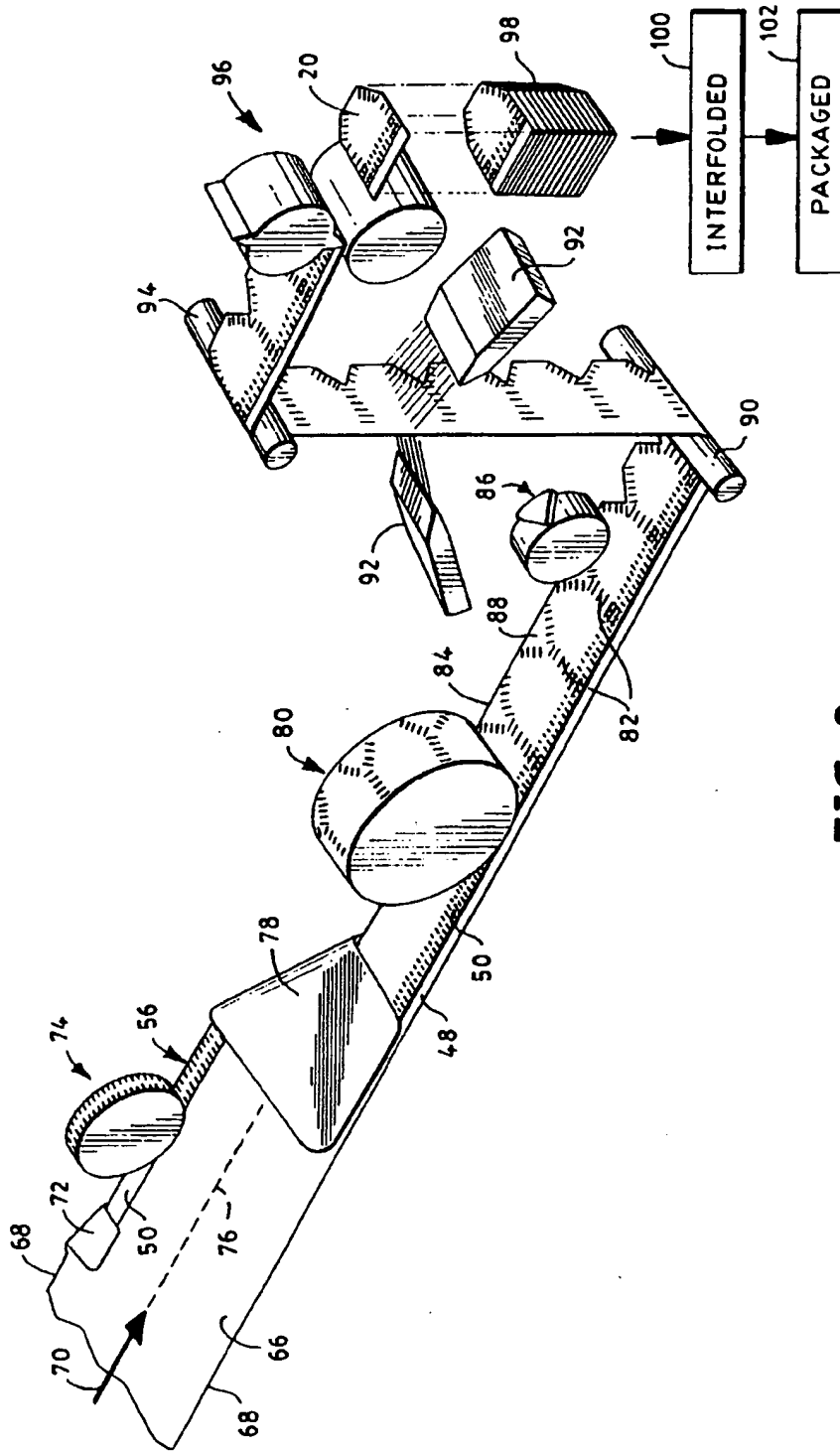


FIG. 8



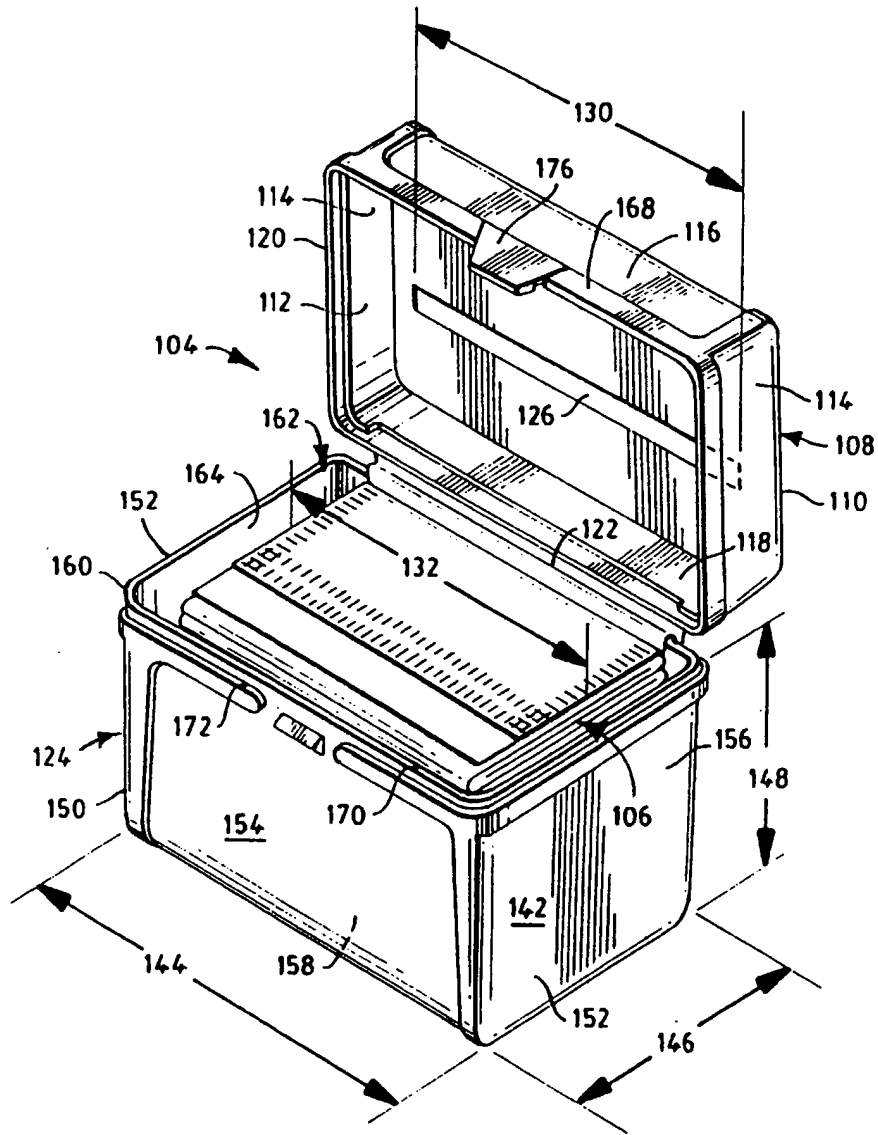


FIG. 9

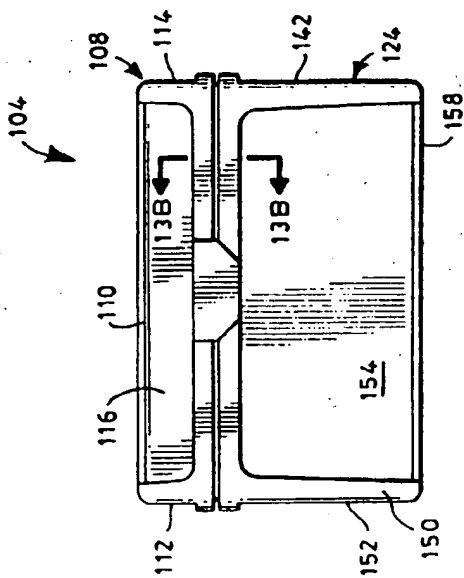


FIG. 10

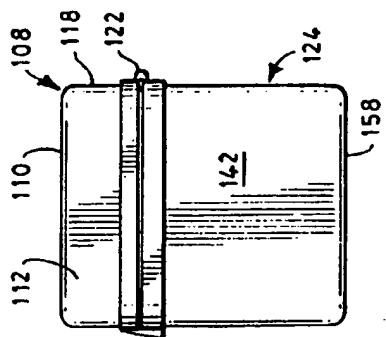


FIG. 12

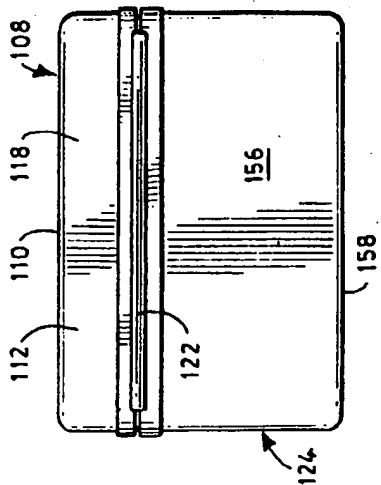


FIG. 11

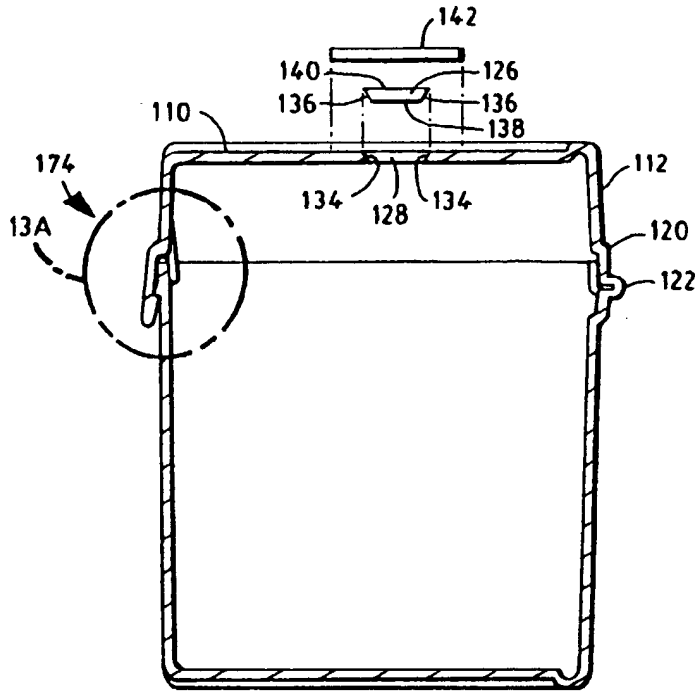


FIG. 13

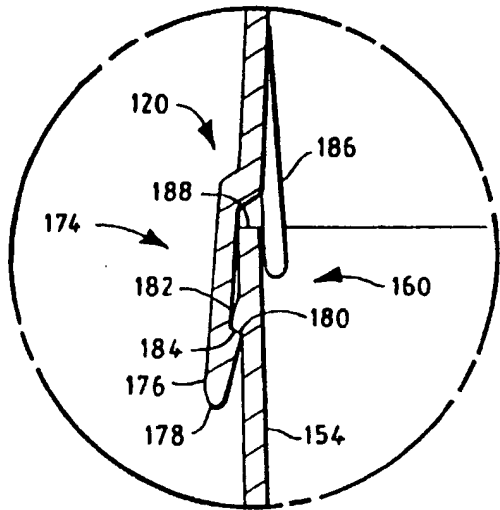


FIG. 13A

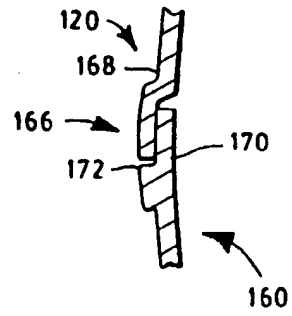


FIG. 13B